

MODEL 50

Two outlets brass gas taps without safety device

Construction

Body: Forged brass
Cone: Brass
Cap: Die cast aluminium alloy
Spindle: Brass

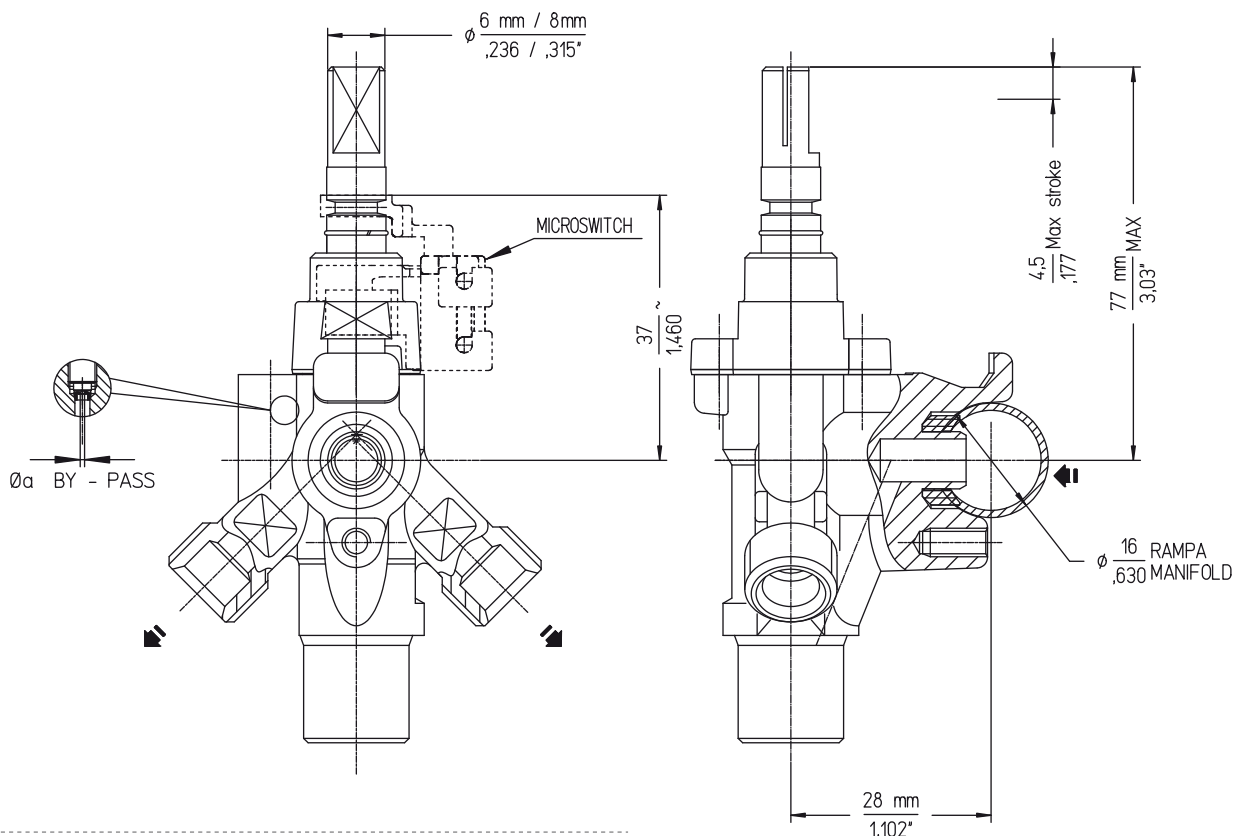
Connections

Standard Inlet: Round 16mm. diameter
Standard Outlet: 1/4 gas male
Spindle dimension: 8x6,5mm.
Shape according to customer's request

Functional data

Maximum working temperature: 130°C (CE) or 150°C (CSA)
Maximum working pressure: 65 mbar
Flow: 390 l/h outlet 1 – 370 l/h outlet 2
Internal leak tightness: < 20 cc/h (at 150 mbar)
Stroke: 4,5mm

Overall dimensions



Installation

Maximum inlet torque: 1,5 Nm.
Maximum outlet torque: 15 Nm.

Spindle rotation diagram

