

# MODEL 49

Two outlets extruded aluminium gas taps with safety device

## Construction

**Body:** Extruded aluminium alloy  
**Cone:** Aluminium alloy  
**Cap:** Die cast aluminium alloy  
**Spindle:** Aluminium

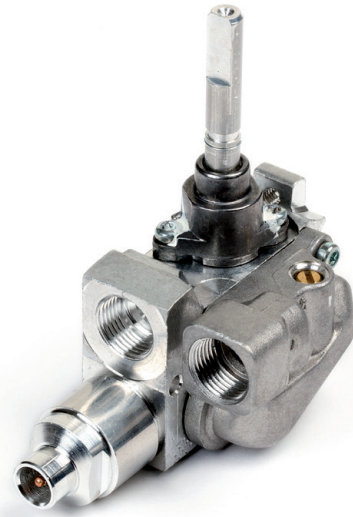
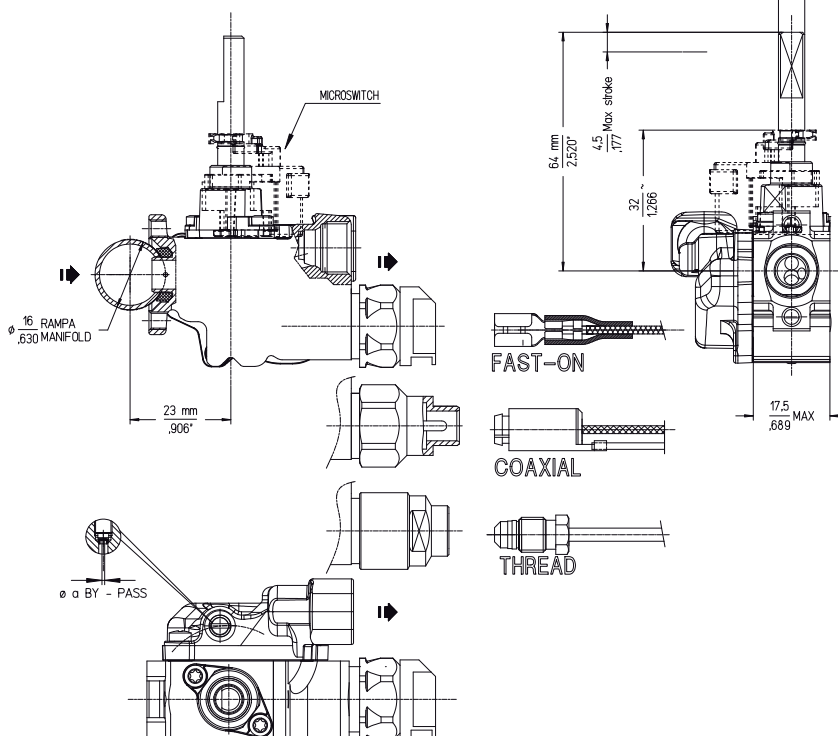
## Connections

**Standard Inlet:** Round 16mm. diameter  
**Standard Outlet:** M12x1 female  
**Spindle dimension:** 6x4,6mm.  
Shape according to customer's request

## Functional data

**Maximum working temperature:** 130°C (CE) or 150°C (CSA)  
**Maximum working pressure:** 65 mbar  
**Flow:** 45-45X = 270 l/h 45Y=260 l/h  
**Internal leak tightness:** < 20 cc/h (at 150 mbar )  
**Stroke:** 4,5mm

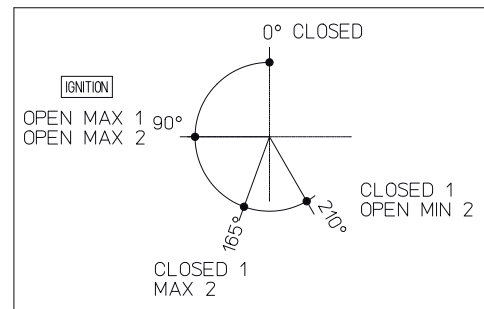
## Overall dimensions



## Installation

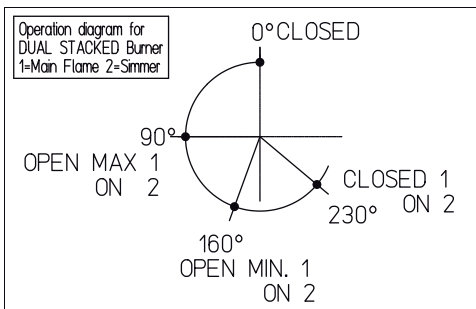
**Maximum inlet torque:** 1,5 Nm.  
**Maximum outlet torque:** 15 Nm.  
**Maximum M8x1 thermocouple torque:** 4 Nm.

## Spindle rotation diagram



Available spindle rotation:

MODEL 49X



MODEL 49Y

