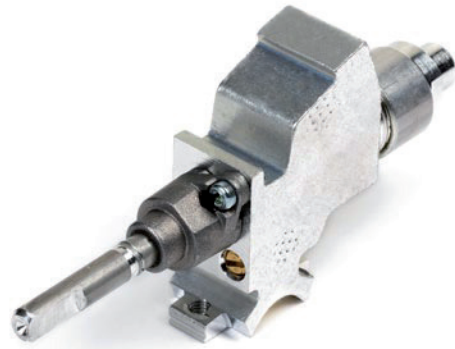


MODEL 42

Extruded aluminium gas taps with safety device



Construction

Body: Extruded aluminium alloy
Cone: Aluminium alloy
Cap: Die cast aluminium alloy
Spindle: Aluminium

Connections

Standard Inlet: Round 16mm. diameter
Standard Outlet: M12x1 female
Spindle dimension: 6x4,6mm.
Shape according to customer's request

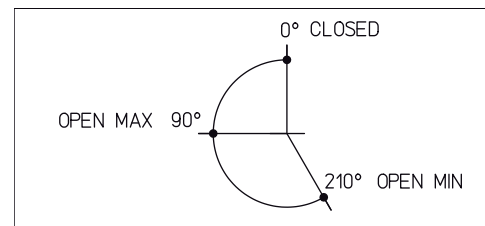
Installation

Maximum inlet torque: 1,5 Nm.
Maximum outlet torque: 15 Nm.
Maximum injector torque: 4 Nm.
Maximum M8x1 thermocouple torque: 4 Nm.

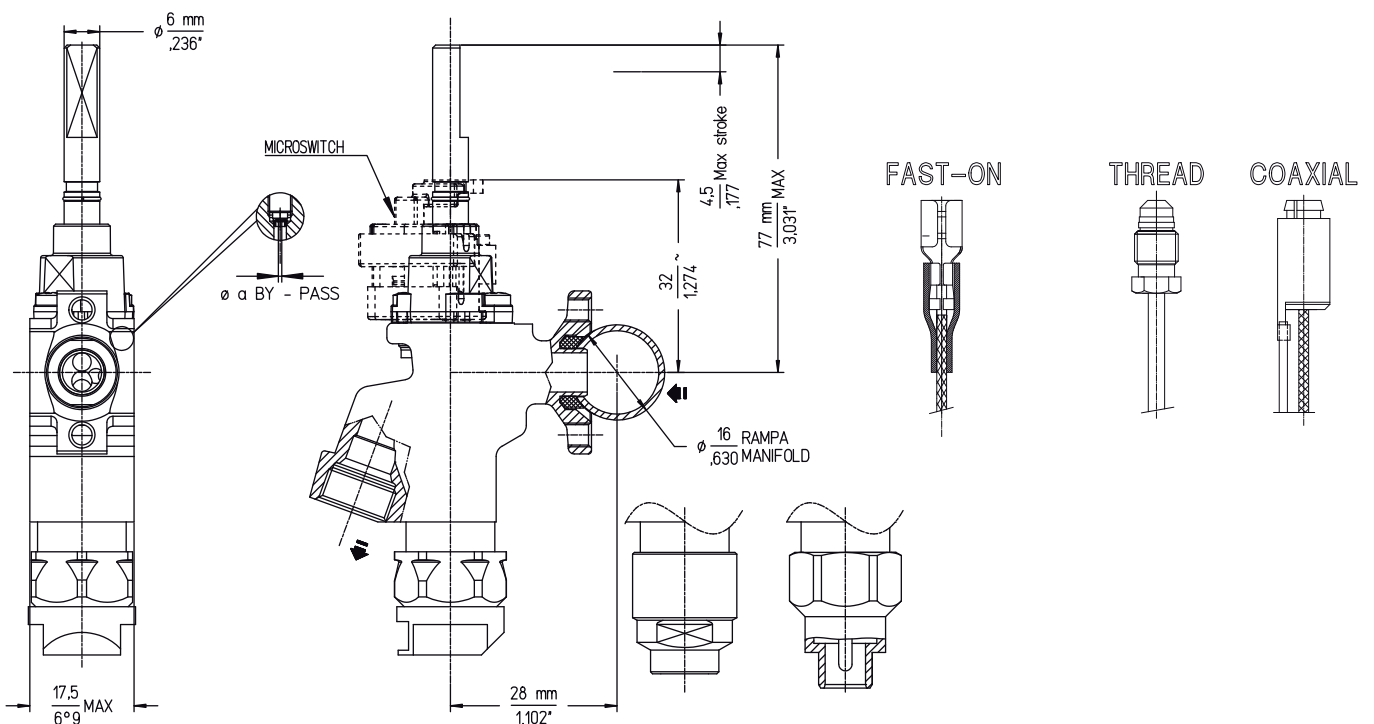
Functional data

Maximum working temperature: 130°C (CE) or 150°C (CSA)
Maximum working pressure: 65 mbar
Flow: 330l/h
Internal leak tightness: < 20 cc/h (at 150 mbar)
Stroke: 4,5mm/3,6mm

Spindle rotation diagram



Overall dimensions

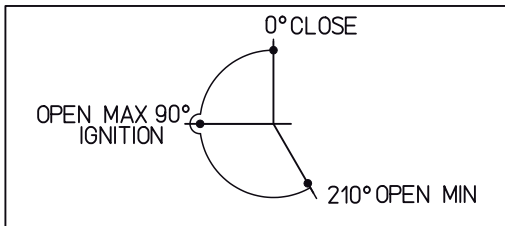


Other rotations

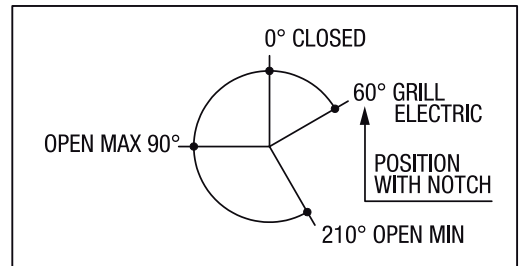
See next page 

Available spindle rotation:

MODEL 42



MODEL 42G



MODEL 42M

