

# MODEL 18

Two outlets brass gas taps with safety device

## Construction

**Body:** Forged brass  
**Cone:** Brass  
**Cap:** Die cast aluminium alloy  
**Spindle:** Brass



## Connections

**Standard Inlet:** Round 16mm. diameter  
**Standard Outlet:** M12x1 male  
**Spindle dimension:** 8x6,5mm.  
Shape according to customer's request

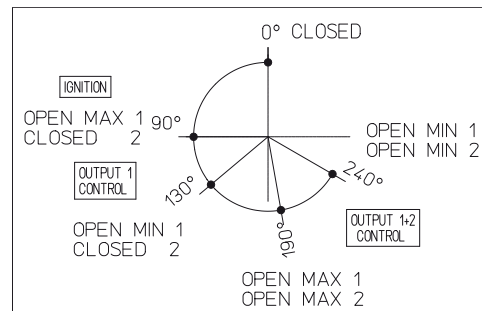
## Installation

**Maximum inlet torque:** 1,5 Nm.  
**Maximum outlet torque:** 15 Nm.  
**Maximum injector torque:** 4 Nm.  
**Maximum M8x1 thermocouple torque:** 4 Nm.

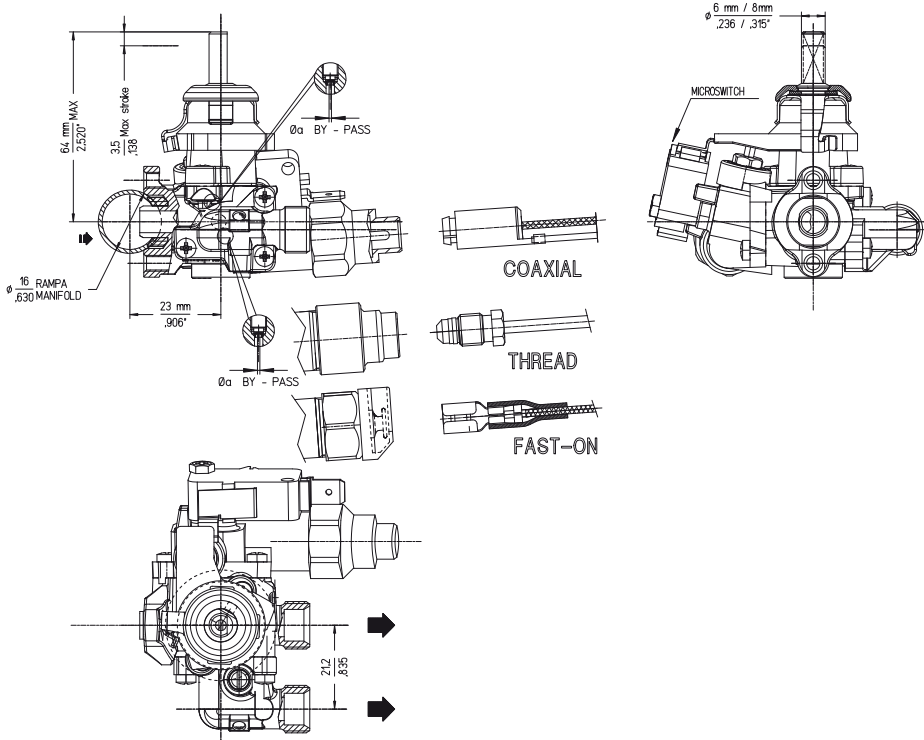
## Functional data

**Maximum working temperature:** 130°C (CE) or 150°C (CSA)  
**Maximum working pressure:** 65 mbar  
**Flow:** 150 l/h  
**Internal leak tightness:** < 20 cc/h (at 150 mbar)  
**Stroke:** 3,5mm

## Spindle rotation diagram



## Overall dimensions

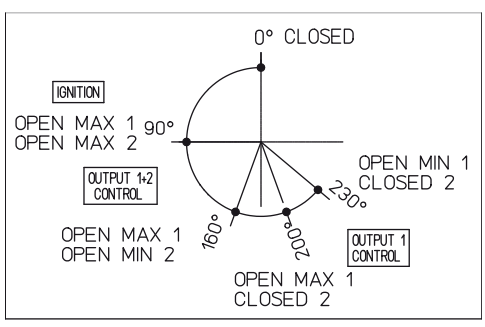


Model 18X-18M-18XM

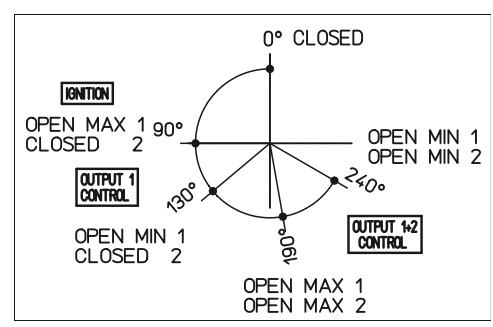
See next page

Available spindle rotation:

MODEL 18X



MODEL 18M



MODEL 18XM

